

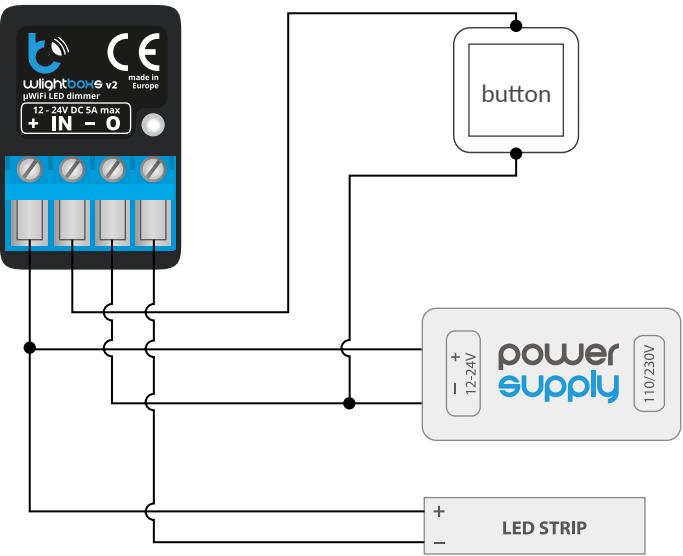


ability to control bt voice commands with Amazon Alexa i Google Home

SAFETY RULES

- Do not connect loads with a higher power than allowed.
Connect only in accordance with the diagram presented in the manual.
DANGER! Risk of electric shock! Even with the device turned off, the outputs may be live.
Connecting the device to a power supply that does not meet the quality requirements...

CONNECTION DIAGRAM



1 INSTALLATION

- Disconnect the installation supply voltage before installing the controller.
The controller should be installed in a place protected against adverse environmental conditions.
Familiarize yourself with the diagram and then proceed with the installation of the controller.
Connect the monochromatic LED strip paying attention to the polarity...

2 FIRST START

- Download the free wBox application.
By using your mobile phone or tablet, connect it to the device wireless network.
Open the wBox application. A device will appear at the top of the screen.

You can also set the configuration using the web browser of your phone / tablet. After connecting to the wireless network of the controller, turn on the browser and go website www.blebox.eu

- Test the controller's work by moving the brightness selection scrollbar several times in the extremes and intermediate positions.

3 OTHER DEVICE SETTINGS

- Go to the configuration ("Settings" icon in the upper right corner of the screen).
The "Output mode" option defines the type of the output signal.

4 ACCESS POINT AND WIFI NETWORK SETTINGS

- Once you turn on the controller for the first time, you can proceed to its further configuration.
You can change the name of the device that is displayed in the wBox application.
You can add the controller to your home WiFi network to control it through this home network...



- Please remember that in order to control the device outside the local WiFi network, from anyplace in the World by using the wBox application, the option "Remote access enabled" in the controller settings must be set to "Yes".
- Once you've finished configuring the WiFi network, you can disconnect your phone/tablet from the controller network and connect your mobile device directly to your home WiFi network. The control from the wBox application will work the same way as when the phone / tablet is connected to the controller network. If the user leaves the local network, for example, leaving home or using the mobile data, the wBox application will signal this state as "Remote mode". In this case, the devices can be controlled, but for security reasons settings are not available.

## TECHNICAL SPECIFICATIONS

supply voltage	12-24V
energy consumption	<1W
maximum current	5A
maximum voltage	12-24V DC
maximum load	120W
supported switches	monostable (push-button), not illuminated
number of inputs	1
inputs type	low voltage, logical, push-button, short circuited to GND
number of outputs	1
outputs type	open-drain, PWM, low side control
color mode	MONO
mounting method	in the flush-mounted box, on the lamp housing, directly connected to the LED strip, e.g. furniture
housing	made of polyurethane composition not containing halogens, self-extinguishing for thermal class B (130 °C)
dimensions	35 x 24 x 19 mm
protection level	IP20
controller operating temperature	from -20°C to +50°C
protection	inverted polarization, ESD
API	open
communication standard	µWiFi, compatible with WiFi, 802.11g
transmission type	bidirectional, encrypted
radio frequency	2.4 GHz
mode	direct connection (as Access Point), Wi-Fi connection via a standard rou- ter, connection with access from any location in the world (re- quires only access to the Internet)
encryption	WPA2-PSK and authenticated encryp- tion with associated data (AEAD)
compatible devices and systems	Apple iPhone, Apple iPad, iPad Mini, Android, computers and mo- bile devices supporting HTML5

## ADDITIONAL INFORMATION

### LOCATION AND TIME OF THE DEVICE, SCHEDULE

The controller has the ability to work according to a given schedule. To make this possible, set the device's time. Go to settings in the "Device time" section, click "Change timezone". Then select your region and location from the list, confirm your selection clicking the "Save" button. The device will synchronize its time with the server time (if the controller is in a WiFi network with access to Internet) or it will download time from the phone / tablet. It is recommended that the controller is always connected to a WiFi network with Internet access so that it can automatically synchronize its clock.

To be able to control devices using the local sunrise and sunset, you must also select the location of the controller. You can specify the location of the device using a smartphone or tablet. In the section "Device location", click "Set locations". Browser will ask whether to share locations - allow. In the "Coordinates" field, should appear the approximate coordinates of your location. If the "Set locations" button blinks red with the word "Error", or the "Coordinates" field did not change the value from "Not set" to numeric data, a failure has occurred during the location download. You should make sure that the phone / tablet has a GPS module and that the sharing location service is enabled on the phone.

Adding schedule entries can be performed by clicking the "Add item" button in the "Schedule" section of settings. You can select the days in which the task will be performed, the type of entry (at a specific time, or relative to sunrise / sunset - only having a correctly set location) and set the parameters of the task. The set tasks will be visible as a list, individual entries can be edited or deleted.

### SOFTWARE UPDATE

To update the software in the controller, connect it to your home WiFi network (see "Access Point and WiFi Network Settings" section) which is connected to the Internet. Go to "Settings" (icon at the top-right corner of the screen) and click the "Get new firmware" button in the final section on settings. Wait about 1 minute, do not close the interface and don't perform other actions. The device will download the latest software. The software version number, hardware version and device identifier can be read at the bottom of the settings screen.

for more information visit our website

[www.blebox.eu](http://www.blebox.eu)

or send us an email to: [info@blebox.eu](mailto:info@blebox.eu)

support is available at [support@blebox.eu](mailto:support@blebox.eu)

made in Europe



proudly made by  
**blebox**