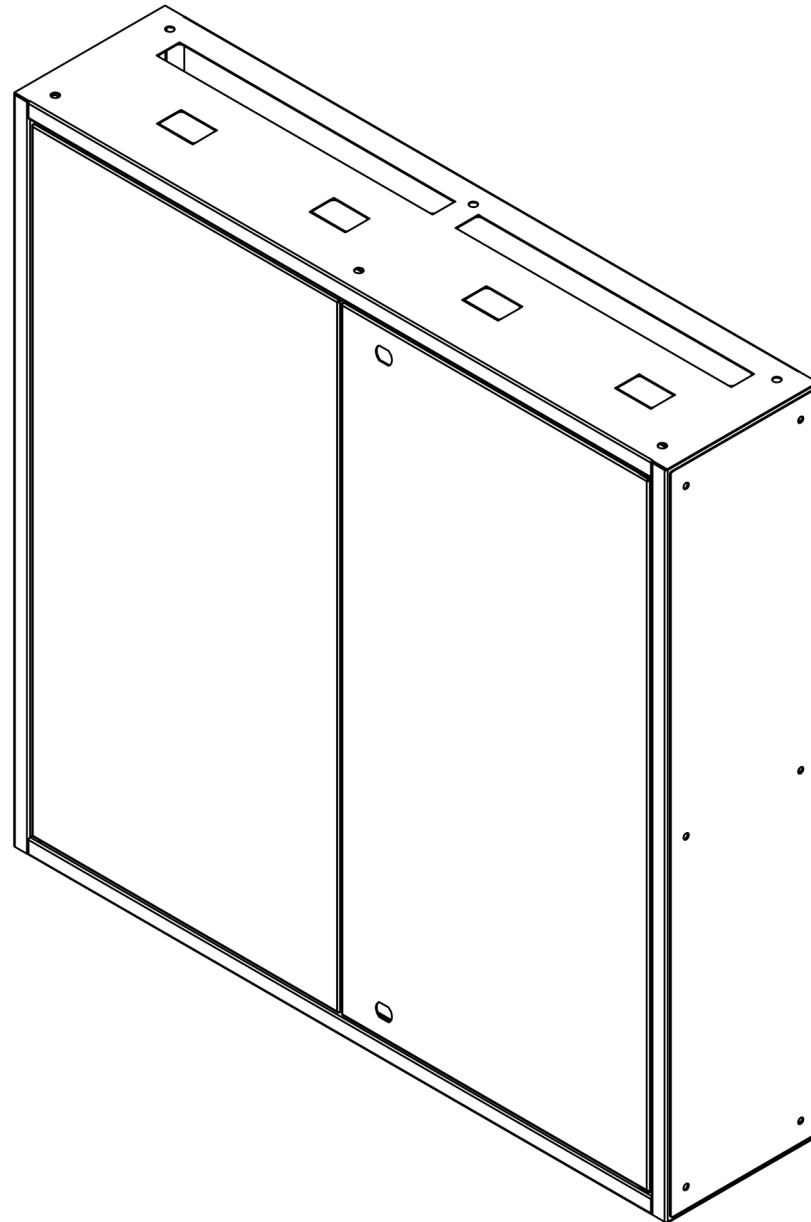


# PRO-MCL



SIS  
SMART INTEGRATION SYSTEMS





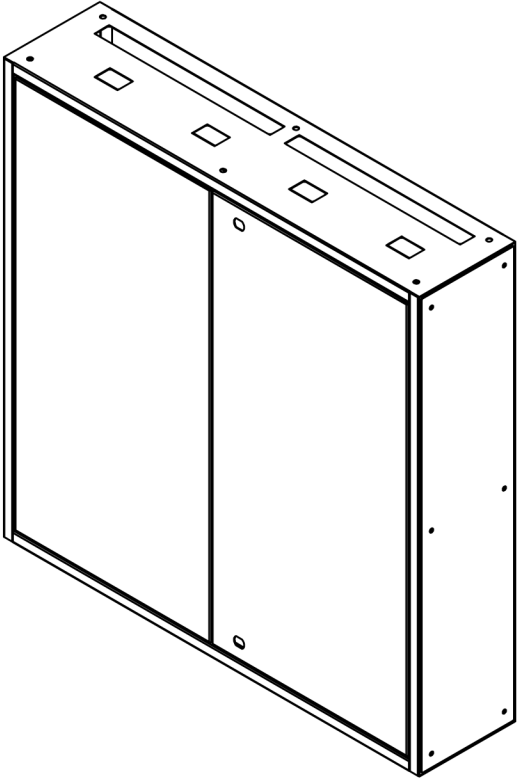
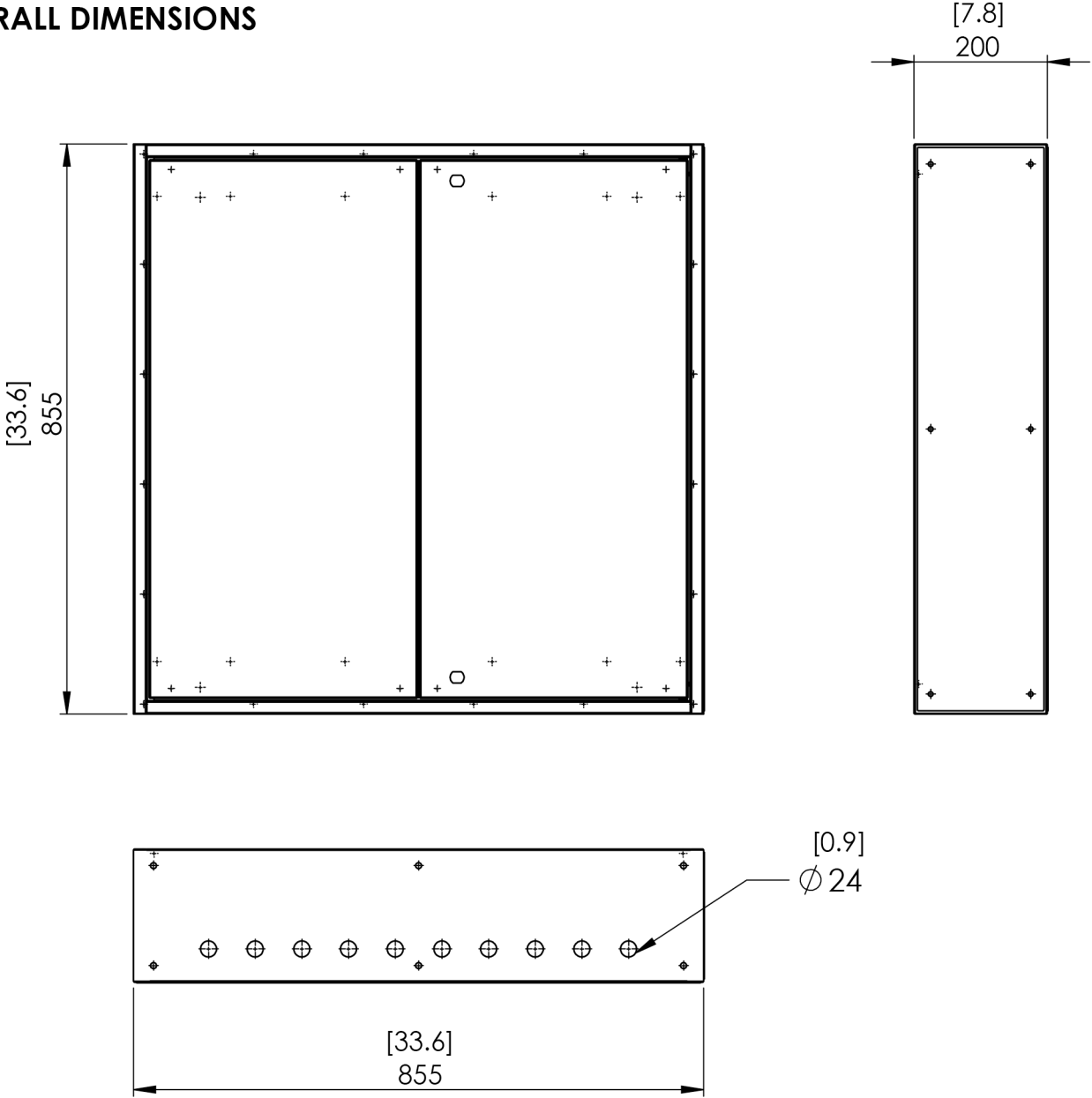
<b>SPECIFICATIONS</b>	<b>MEASUREMENTS</b>
Product Dimensions	855mm (33.6") 855mm (33.6") 200mm (7.8")
Number of DIN Rails	4
Number modules	4 x 40
Number of doors	2
Wall Mount	yes
Front Cover Panel	4
Trunking Cables	<del>40mm x 40mm</del>
Finish Color	<del>Black</del> Powder Coated
Weight	36.9kg (81lbs)

# PRO-MCL

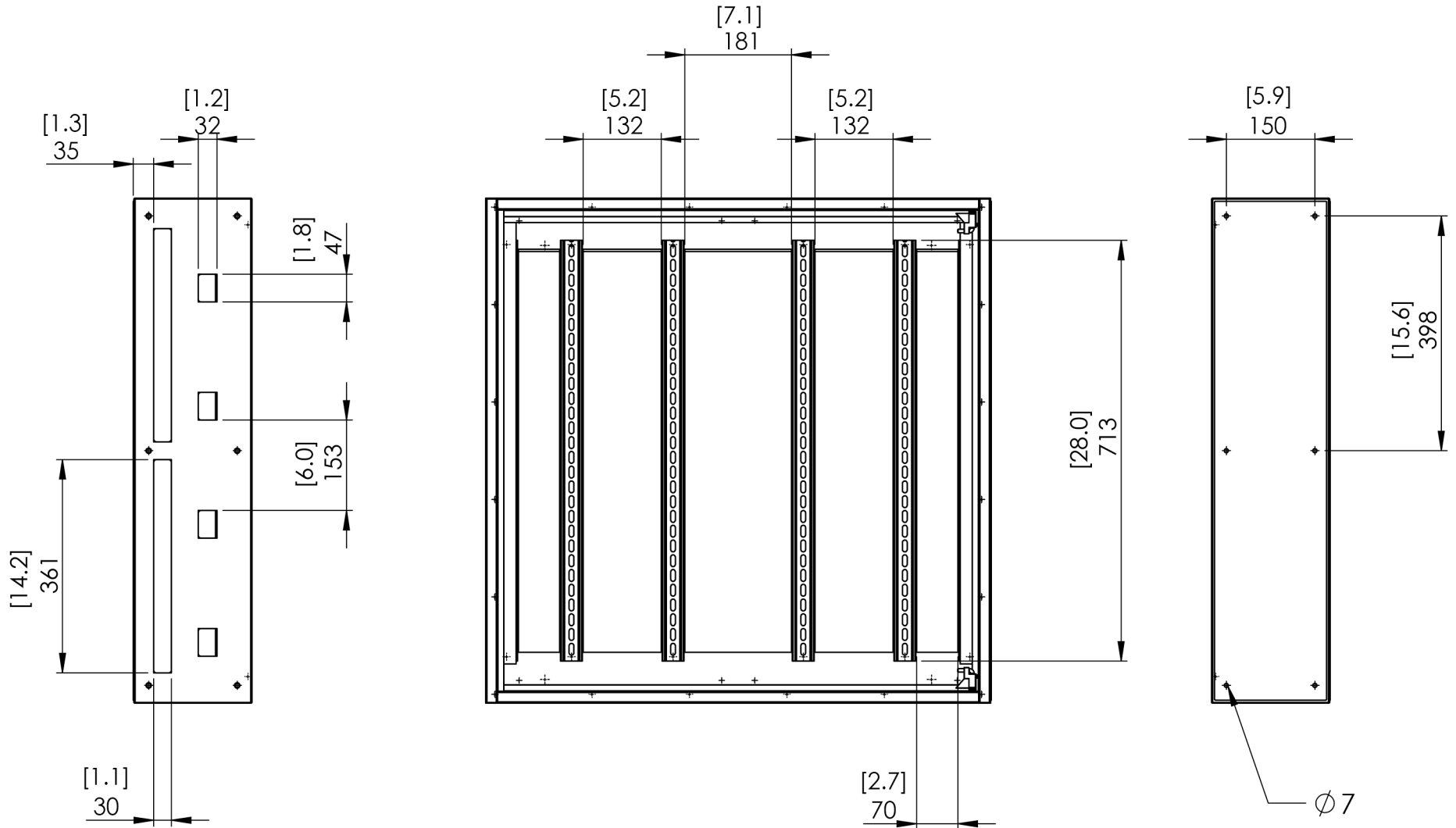


SIS  
SMART INTEGRATION SYSTEMS

## OVERALL DIMENSIONS



## ENCLOSURE DIMENSIONS



## PANEL COVERS

